

SHIPO Rope pump. Model 2

Version 17-7-2014

The SHIPO Rope pump Model 2 is a simplified version of the Model 1. In this model a wheel cover is optional as well as a return PVC pipe. See pictures under.



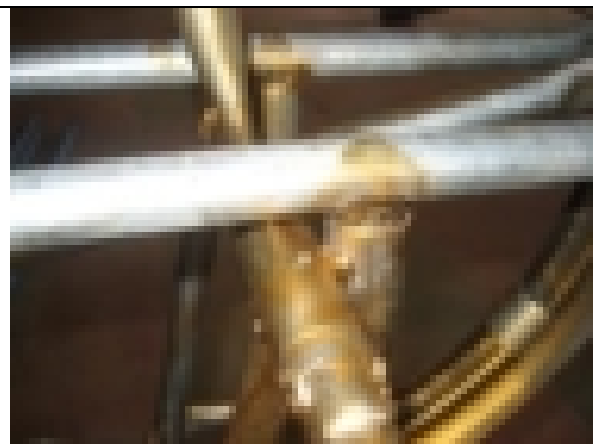
Rope pump Model 2, with a return pipe, without wheel cover. Used for irrigation of a garden



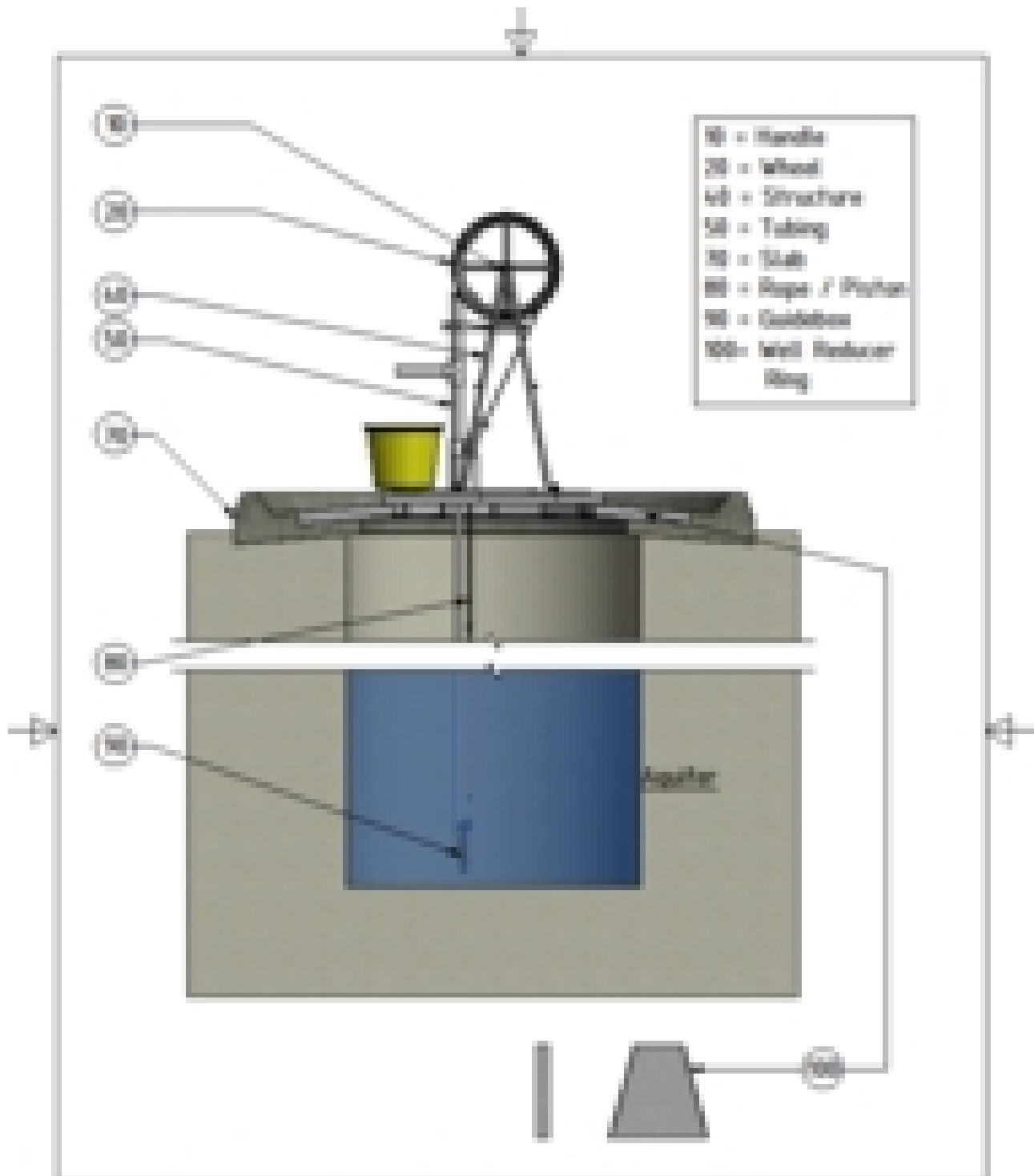
Rope pump Model 2 with Options of a Wheel cover



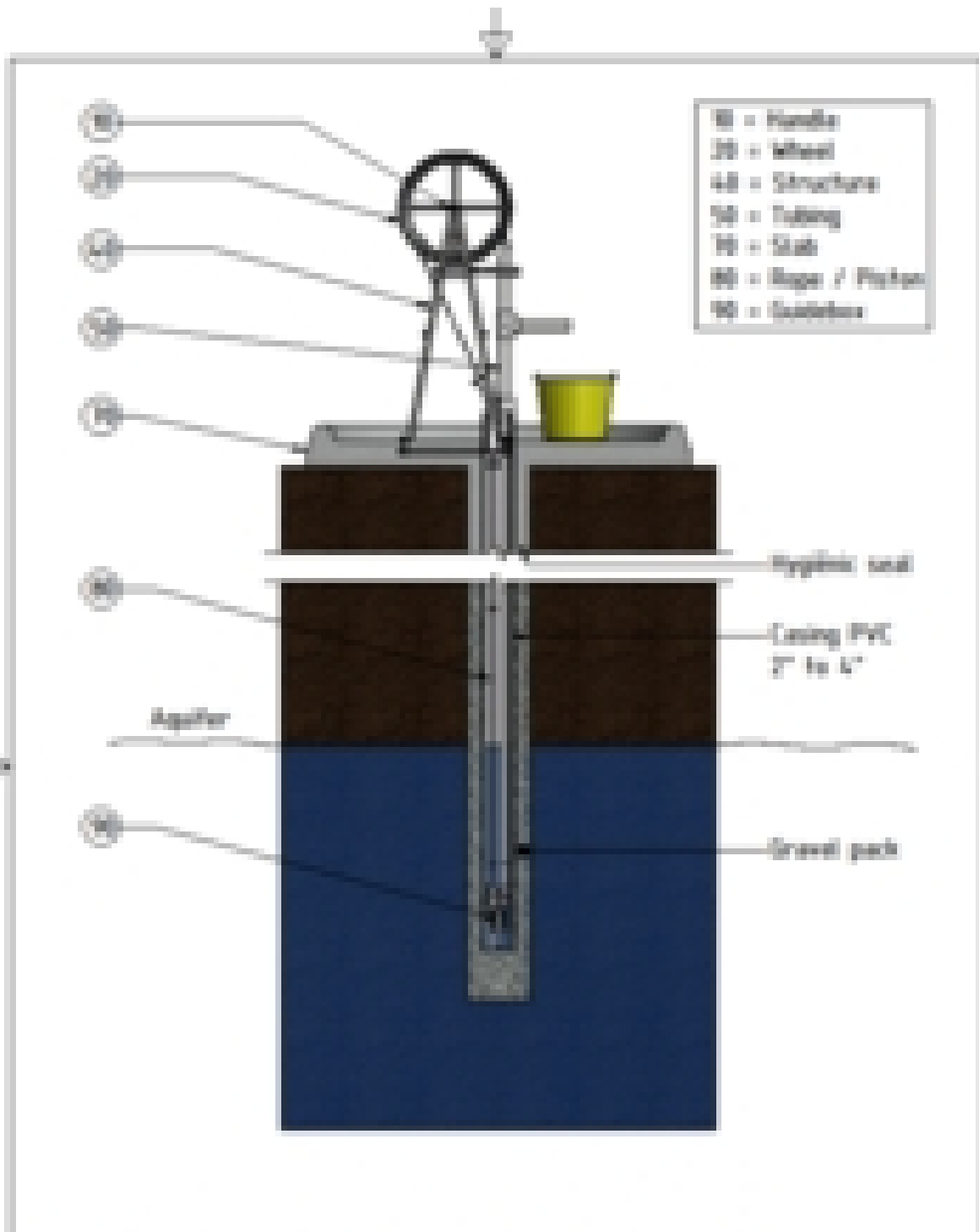
Separate Wheel cover



Mounting of wheel cover

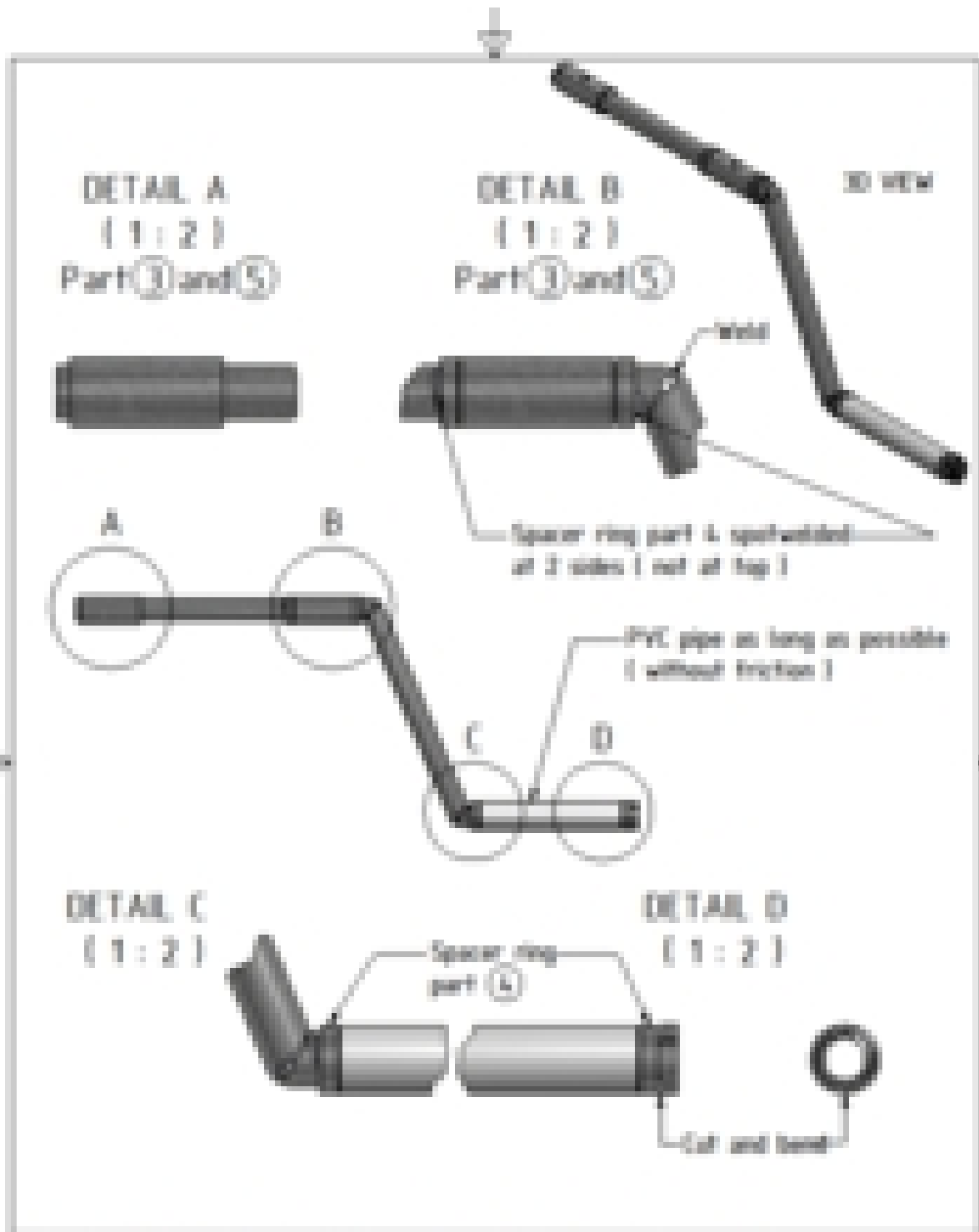


Project:		Approved: [Signature]		Title: ROPE PUMP Model 2	
Date: 1/1/14		Drawing by: [Signature]		Drawing Date: 1/1/14	
[Signature]		Approved by: [Signature]		Approved Date: 1/1/14	
		Notes: Installed on a Dug Well		Part number: Sheet size: A4	
<small> All rights reserved. No part of this document may be reproduced, stored in a retrieval system, or transmitted, in any form or by any means, electronic, mechanical, photocopying, recording, or by any information storage and retrieval system, without the prior written permission of the author. </small>					

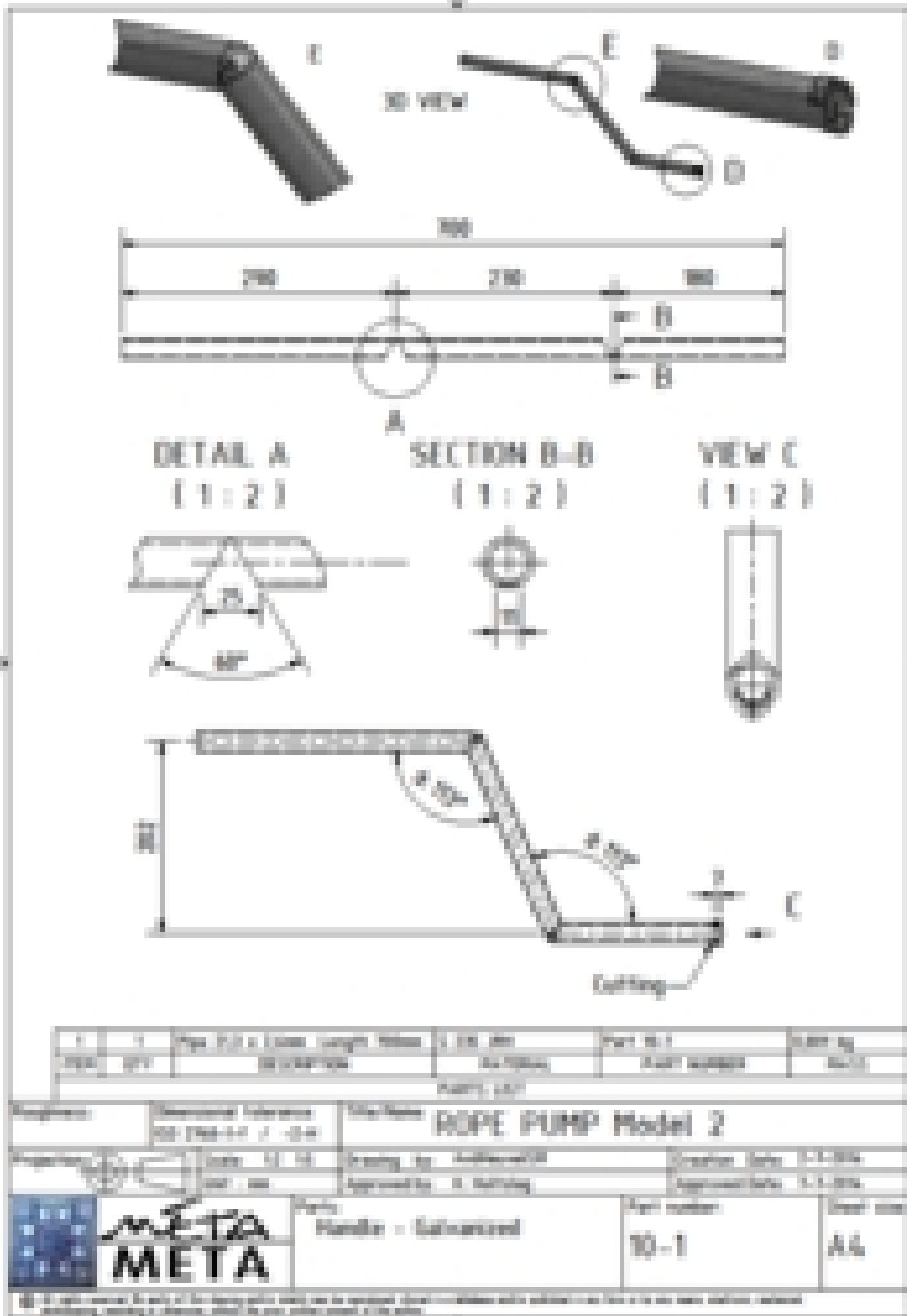


- 30 = Handle
- 20 = Wheel
- 40 = Structure
- 50 = Tubing
- 70 = Slab
- 60 = Rope / Piston
- 10 = Seal/Seal

Project:		Approved/Issued:		Title/Name: ROPE PUMP Model 2	
	Date: 1-11-11	Drawn by: Ashraf/AM	Checked by: J. El-Hadi	Scale: 1:1	Sheet No: 1 of 1
	Rev: 1	Approved by: H. Hattab	Approved by: J. El-Hadi	Scale: 1:1	Sheet No: 1 of 1
		Notes: Installed on a Borehole	Sheet number:	Sheet size: A4	
<small>© 2011 Metropolitan Engineering and Technical Associates. All rights reserved. This drawing is the property of Metropolitan Engineering and Technical Associates. No part of this drawing may be reproduced or transmitted in any form or by any means electronic, mechanical, photocopying, recording, or by any information storage and retrieval system, without the prior written permission of Metropolitan Engineering and Technical Associates.</small>					



Project:	Technical drawing:	Doc Name:	ROPE PUMP Model 2	
Project:	Date: 11.11.2016	Drawn by: Adhithyan	Checked by: S.S.P.K.	
Part: 001	Scale: 1:1	Approved by: S. S. P. K.	Approved date: 11.11.2016	
	Part:	Part number:	Sheet size:	
	Handle - Assembly	70	A4	
<small>© 2016 META. All rights reserved. META and the META logo are registered trademarks of META. All other marks and names mentioned in this drawing are the property of their respective owners.</small>				

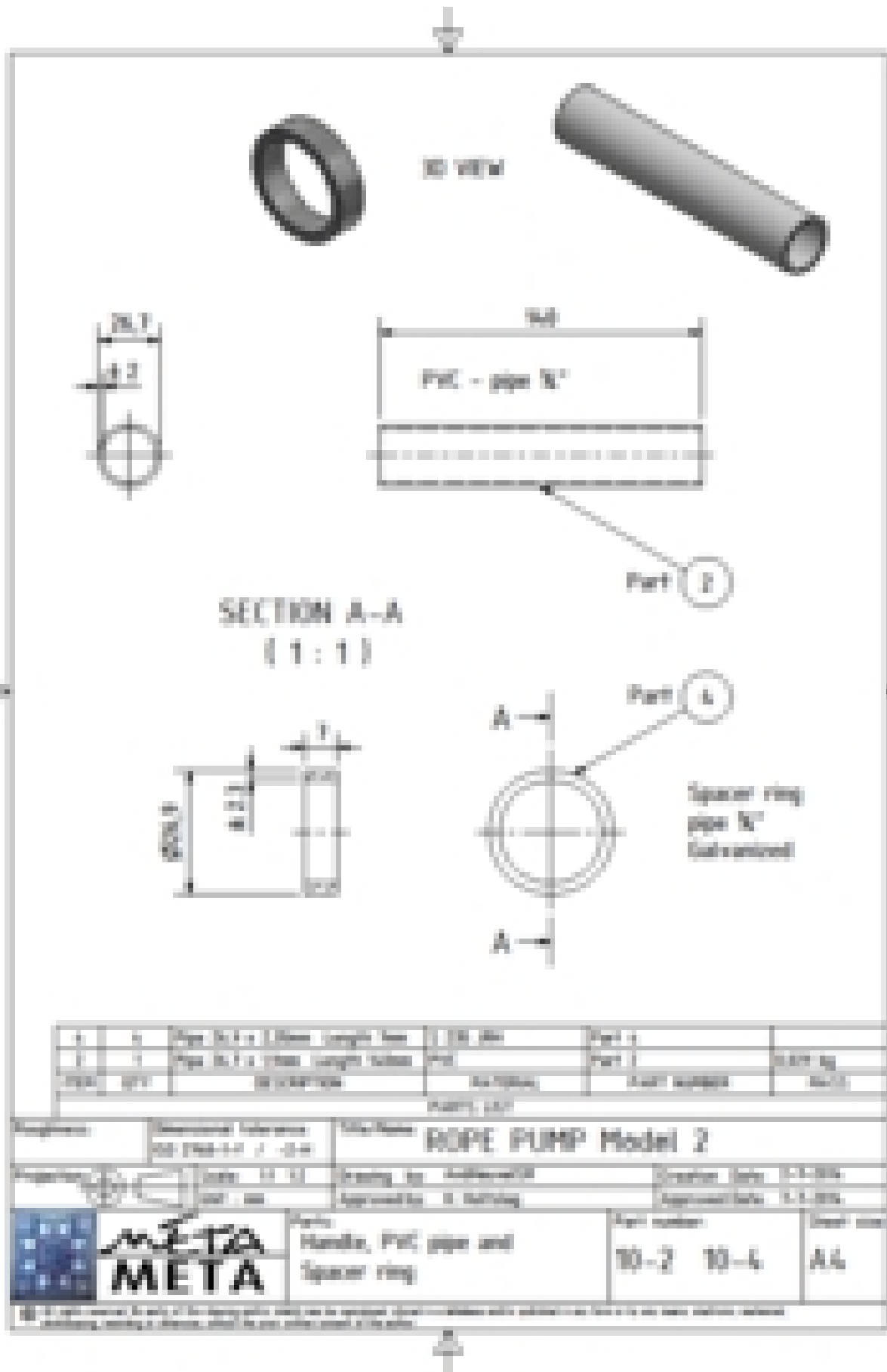


1	1	Part 10-1 Handle Length 1000	1.00.001	Part 10-1	1.00.001
100	100	DESCRIPTION	ACTUAL	PART NUMBER	REV.


Approved:	Approved/Issued:	File Name:	Created Date:
	10-10-07 1:04	ROPE PUMP Model 2	1-1-06
Approved:	Date:	Drawn by:	Approved Date:
	10-10-07	A. HODGSON	1-1-06

	Part:	Part number:	Part size:
	Handle - Galvanized	10-1	A4

© 2007 META Engineering Ltd. All rights reserved. This drawing is the property of META Engineering Ltd. and is not to be reproduced, stored in a retrieval system, or transmitted in any form or by any means, electronic, mechanical, photocopying, recording, or otherwise, without the prior written consent of META Engineering Ltd.

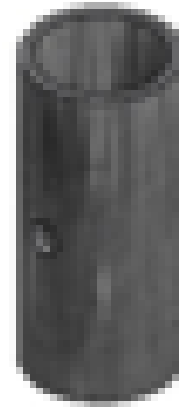
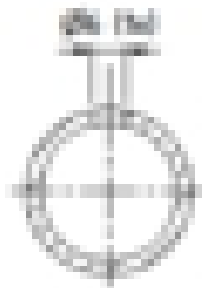


1	2	Pipe 1/2 x 1/2 inch length 100	100.00	Part 1	
1	1	Pipe 1/2 x 1/2 inch length 100	100.00	Part 1	100.00
100	100	100.00	100.00	Part 100	100.00
PART 100					

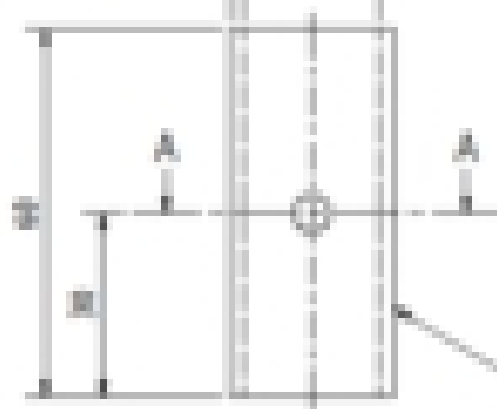
Project:	Revision:	Rev. No.:	ROPE PUMP Model 2		
Project No.:	Date: 11.11	Drawn by: Ashwini	Checked by: S.S. Patil		
Part No.:		Approved by: S. Patil	Approved by: S.S. Patil		
	Part Name: Handle, PVC pipe and Spacer ring		Part number: 10-2 10-4	Sheet no: AA	
	<small>© 2011 META. All rights reserved. No part of this document may be reproduced, stored in a retrieval system, or transmitted in any form or by any means, electronic, mechanical, photocopying, recording, or by any information storage and retrieval system, without the prior written permission of META.</small>				

SECTION A-A
(1:1)

ISO VIEW



Pipe 1/2" x Ø 2.3, ± 0.022
Galvanized



• inside diameter 0,7-0,8 mm
more than outside diameter
of handle.

Part 1

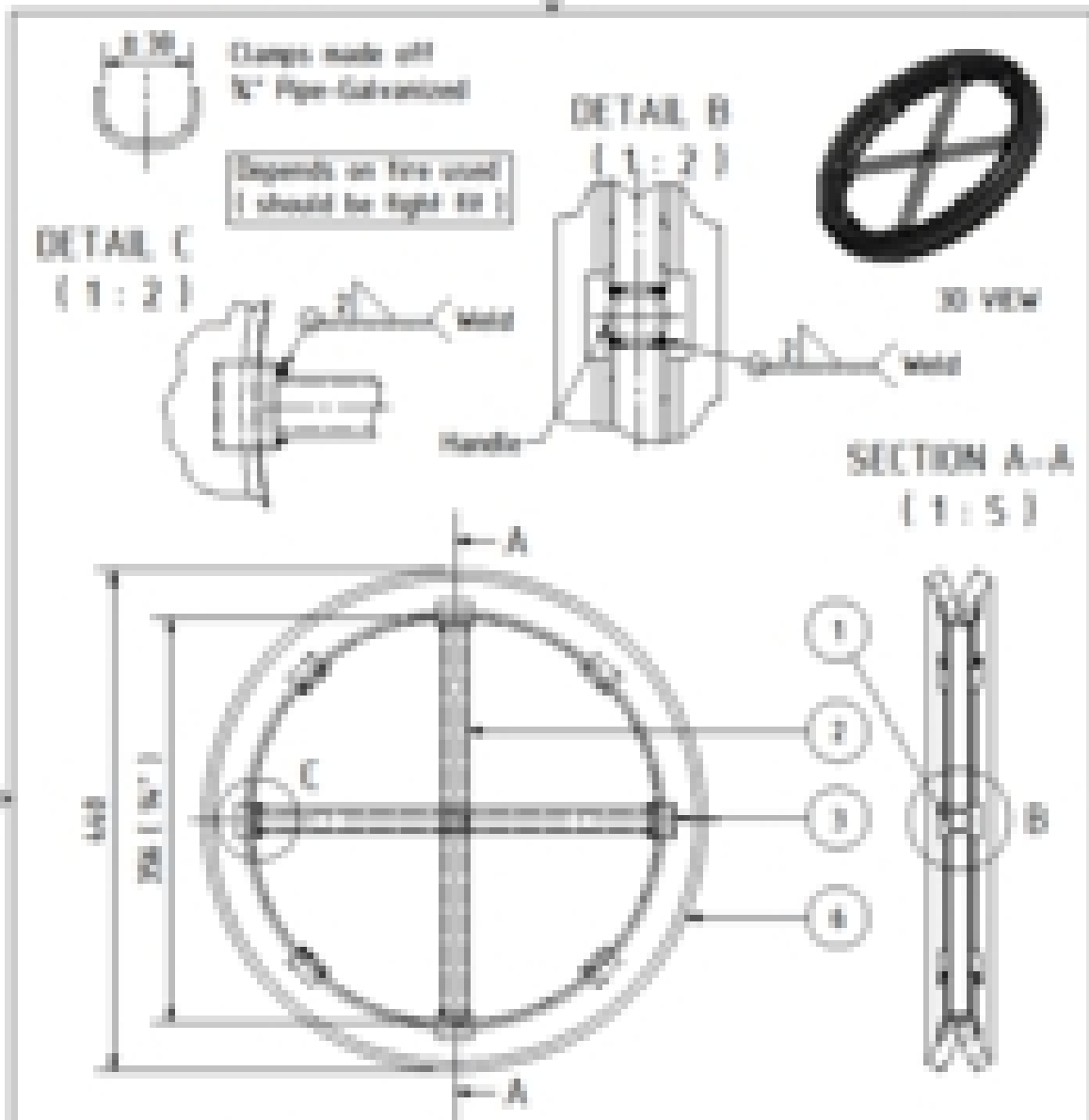
1		Pipe 1/2" x Ø 2.3, length of pipe 1.00, 0.00	Part 1	10-3
10-3	10-3	10-3	10-3	10-3

Project:	Technical drawing:	Title Name:	ROPE PUMP Model 2
----------	--------------------	-------------	-------------------



Author:	Scale: 1:1	Drawing by: 10-3/2018	Creation date: 1.1.2018
10-3	10-3	10-3	10-3

	Part:	Part number:	Sheet size:
	Blanking	10-3	A4

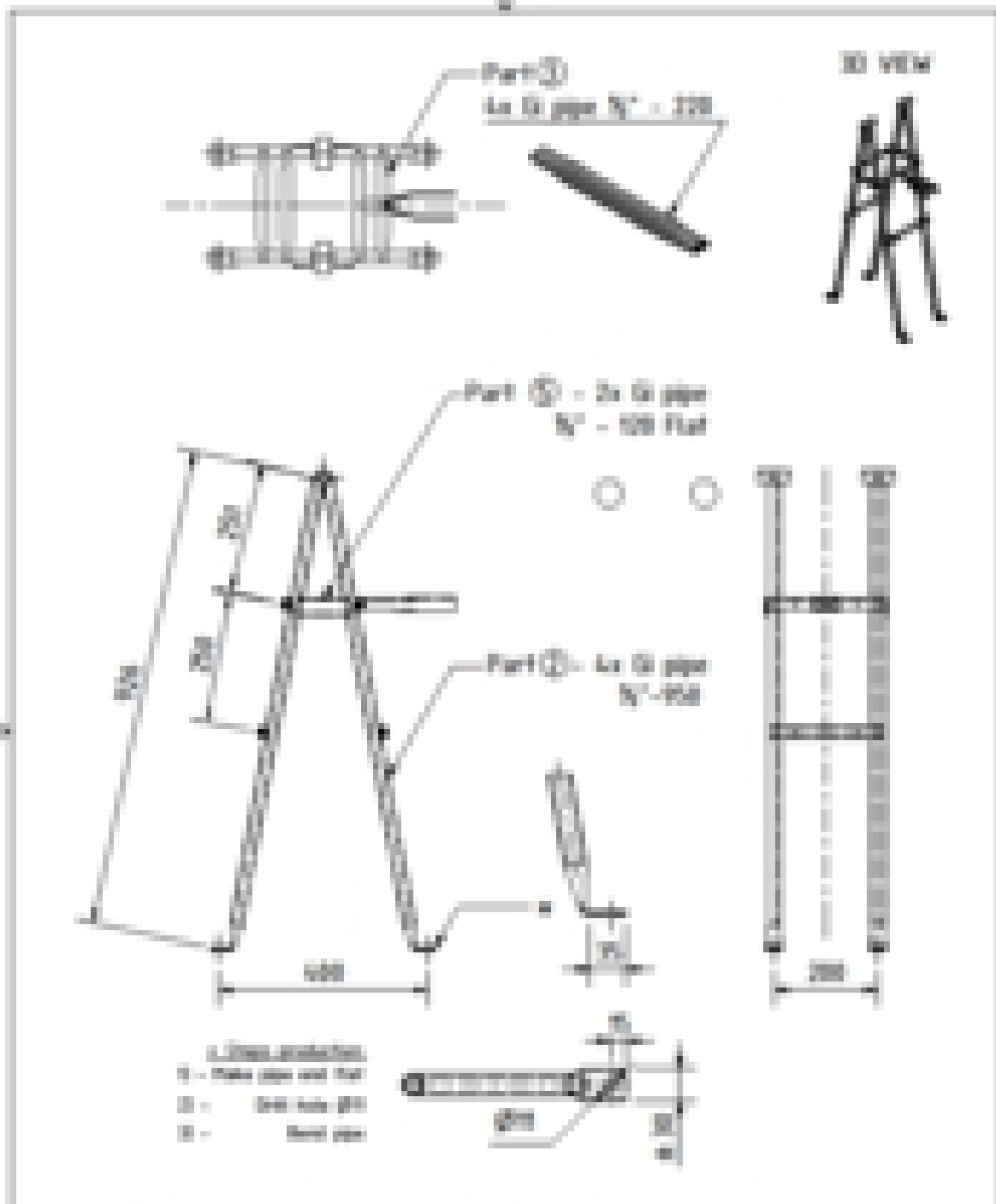
© 2018 META. All rights reserved. This drawing is for internal use only. Any reproduction or distribution of this drawing without the written permission of META is strictly prohibited.



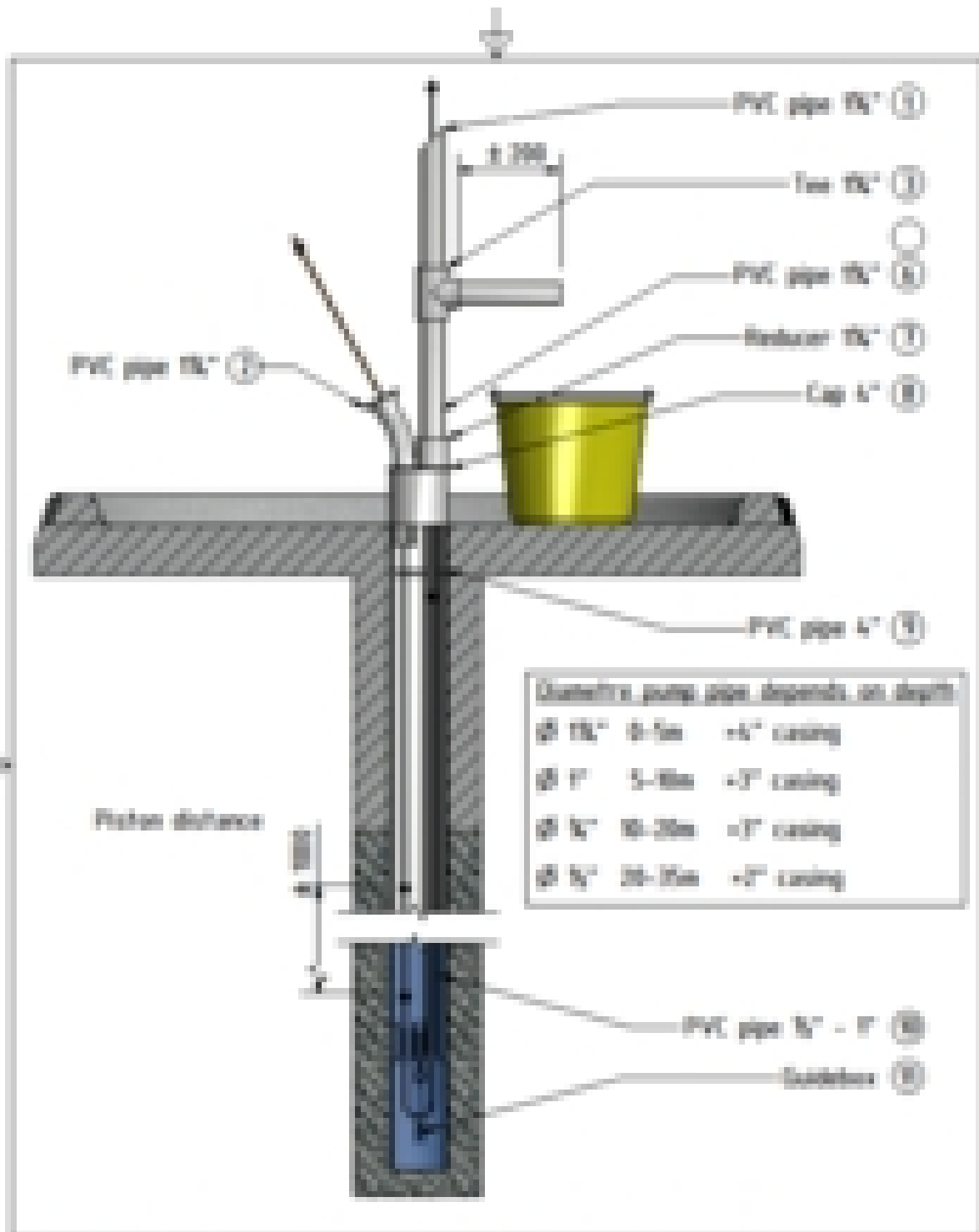
1	1	Pipe 1/2" x 1.0 mm. Length	1.00 mm. Size	Part No.1	
2	4	Pipe 1/2" x 1.0 mm. Length 80 mm	1.00 mm. Size	Part 2	1.000 kg
3	4	Pipe 1/2" x 1.0 mm. Length 40 mm	1.00 mm. Size	Part 3	0.400 kg
4	1	Wheel 70 x 70	70 x 70 x 70	Part 4	1.000 kg
QTY	QTY	DESCRIPTION	SIZE/TYPE	PART NUMBER	WEIGHT

Project:	Dimensional tolerance: ISO 2768-1/2 J -0.04	Title/Name: ROPE PUMP Model 2		
Projecting:	Date: 01.11.2017	Drawing by: Ashraf/AM	Created Date: 01.11.2016	
	001 mm	Approved by: A. Melling	Approved Date: 01.11.2016	
		Part name: Wheel - Assembly	Part number: 20-2-3-4	Sheet size: A4


© 2017 META. All rights reserved. No part of this drawing may be reproduced, stored in a retrieval system, or transmitted in any form or by any means, electronic, mechanical, photocopying, recording, or by any information storage and retrieval system, without the prior written permission of META.

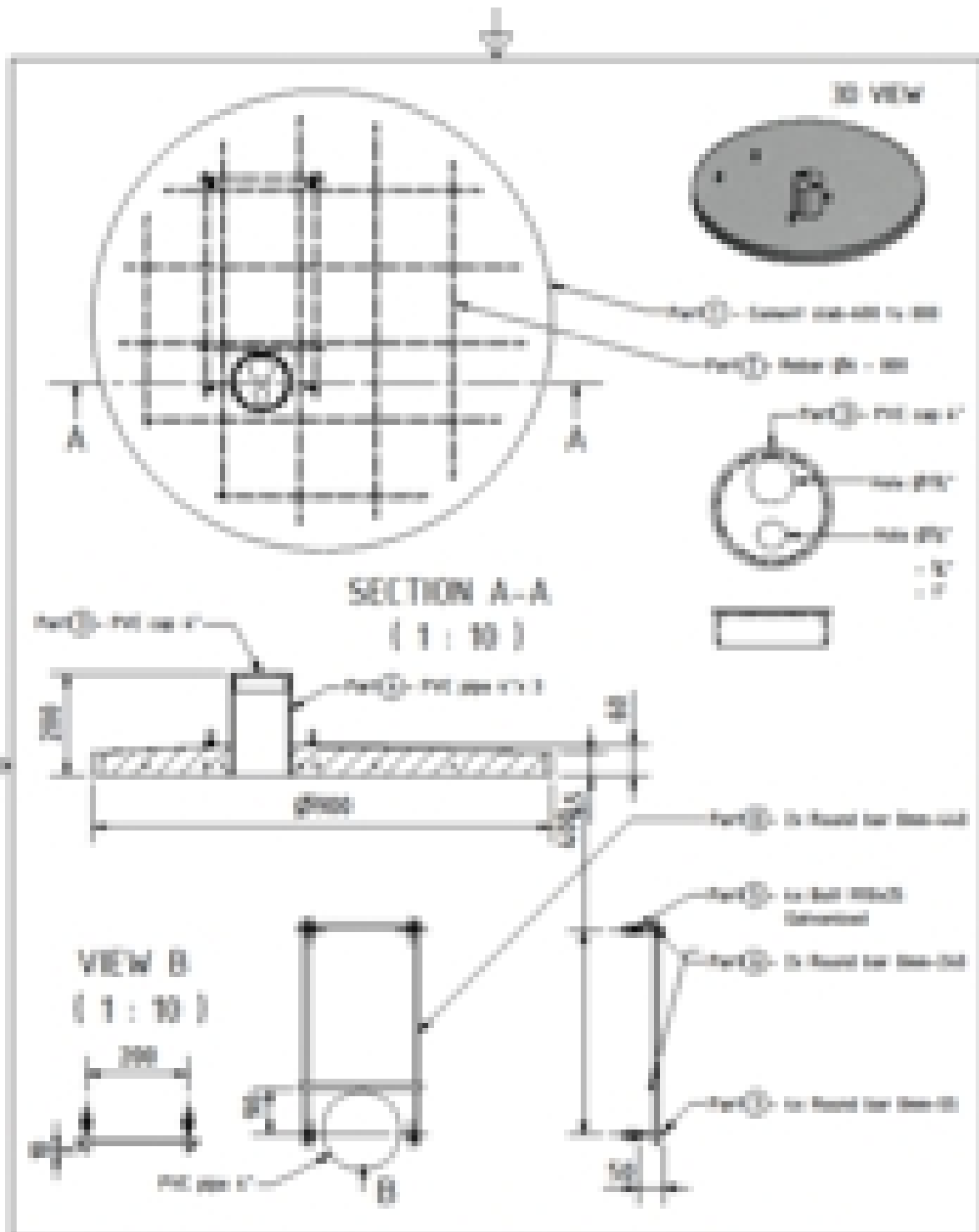


Project:	Accessories:	File Name:	ROPE PUMP Model 2	
Author:	Date: 11/18	Drawn by: J. J. J.	Checker: J. J. J.	
Version:	1.0	Approved: J. J. J.	Approved: J. J. J.	
	Area:	Sheet number:	Sheet size:	
	Structure - Assembly	40	A4	
<small> All rights reserved. No part of this document may be reproduced, stored in a retrieval system, or transmitted in any form or by any means, electronic, mechanical, photocopying, recording, or otherwise, without the prior written consent of the author. </small>				

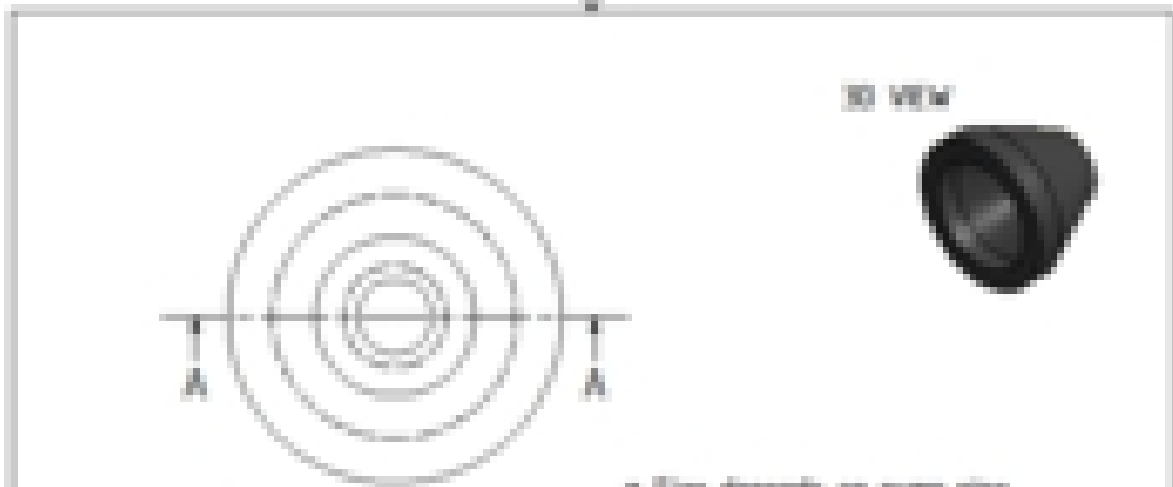


Quantity pump pipe depends on depth		
Ø 1 1/2"	0-5m	+6" casing
Ø 1"	5-10m	+3" casing
Ø 3/4"	10-20m	+3" casing
Ø 3/4"	20-35m	+3" casing

Application:	Accessorial tolerance:	Use Name:	ROPE PUMP Model 2	
Part number:	Scale: 1:1	Drawing by:	Approved by:	Creation date: 1.1.2014
	Unit: mm	Approximate:	8. Netting	Approval date: 1.1.2014
 META	Part:	Part number:	Sheet size:	
	Tubing + Assembly	50	A4	
<small>© 2014 META. All rights reserved. This document is the property of META. No part of this document may be reproduced without the prior written permission of META.</small>				



Project: ROPE PUMP Model 1-2		Title: ROPE PUMP Model 1-2	
Approved:	Approved:	Created: 1.1.2014	Approved: 1.1.2014
Scale: 1:1	Drawing by: W. H. H. H. H.	Revision: 1.1.2014	
Part: 10-1 to 8		Part number: 10-1 to 8	Sheet number: A4
		<small>© 2014 META. All rights reserved. No part of this publication may be reproduced, stored in a retrieval system, or transmitted, in any form or by any means, electronic, mechanical, photocopying, recording, or otherwise, without the prior written permission of META.</small>	



3D VIEW



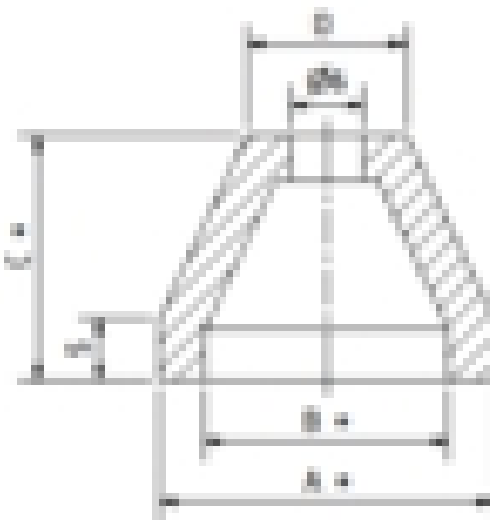
SECTION A-A
(2 : 1)

* Size depends on pump pipe diameter inside.

Pipe	A mm	B mm	C mm	D
3/4"	8,1	11	11	11
1/2"	26,2	11	15	12
1"	21,5	24	24	11

* Tolerance ±0,2 ** Tolerance ±0,5

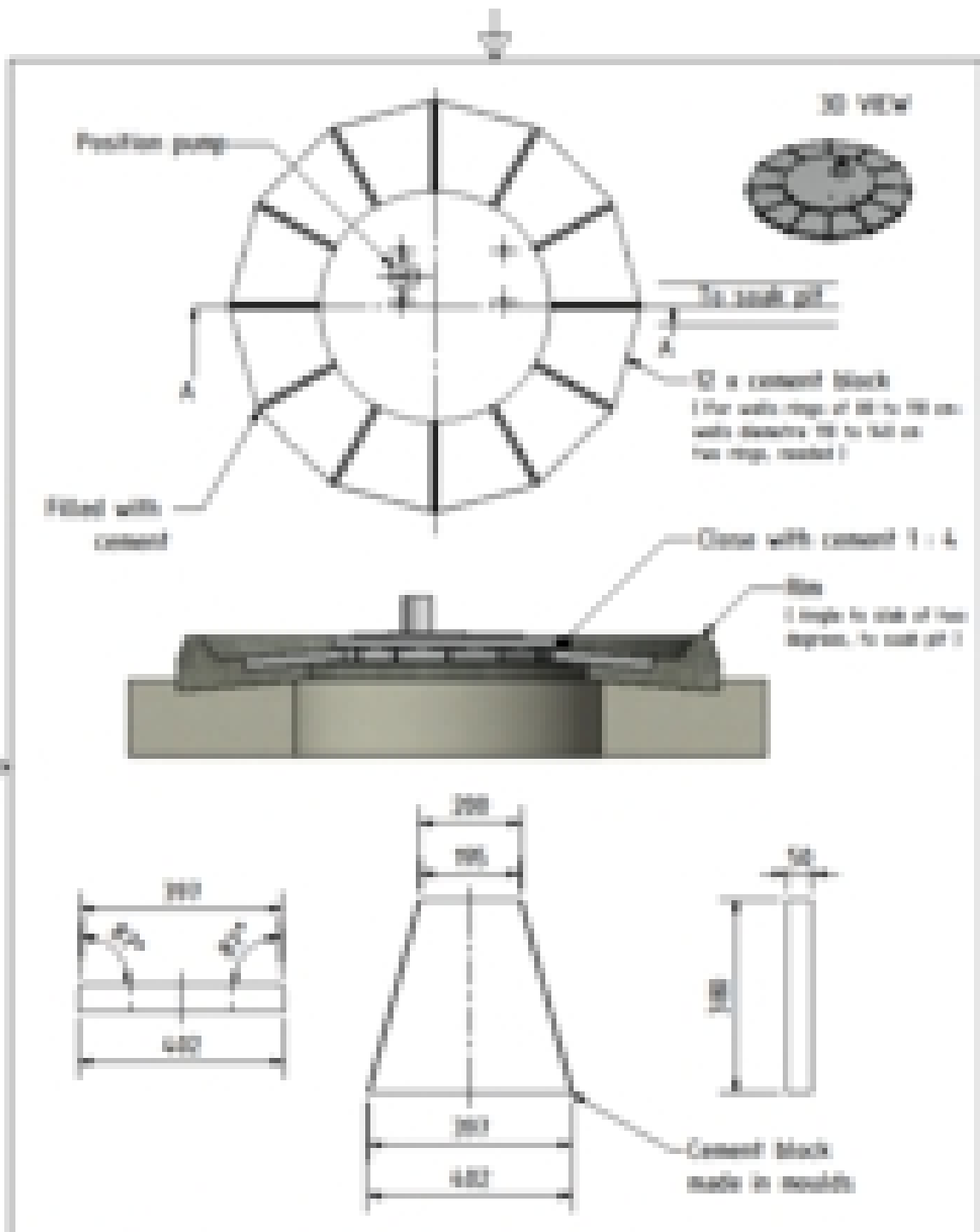
Based on pipes 3/4" OD = 26 ID = 16
 1/2" OD = 25 ID = 21
 1" OD = 32 ID = 28



OD Outside diameter
 ID Inside diameter

Approved:		Dimensional Tolerance: ISO 2768-1/2 J -0,2	Title: ROPE PUMP	
Project:	Date: 1.1.2016	Drawing by:	Checked by:	Drawing No.: 104-004
		Approved by:	Approved date: 1.1.2016	Sheet no.: AA
		Part number: 80	Sheet size: AA	

© 2016 META. All rights reserved. No part of this document may be reproduced, stored in a retrieval system, or transmitted in any form or by any means, electronic, mechanical, photocopying, recording, or by any information storage and retrieval system, without the prior written permission of META.



Project:	Structural Elements	Title Name:	ROPE PUMP Model 2		
Author:	Prof. Dr. Dr. Dr.	Drawing No.:	44444444	Creation Date:	1.1.2024
Prof. Dr. Dr. Dr.		Approved by:	A. A. A. A. A.	Approval Date:	1.1.2024
	Part:	Part number:	Sheet size:		
	Well Reducer Ring	100	A4		

© 2024 META. All rights reserved. No part of this document may be reproduced, stored in a retrieval system, or transmitted in any form or by any means, electronic, mechanical, photocopying, recording, or otherwise, without the prior written permission of META.